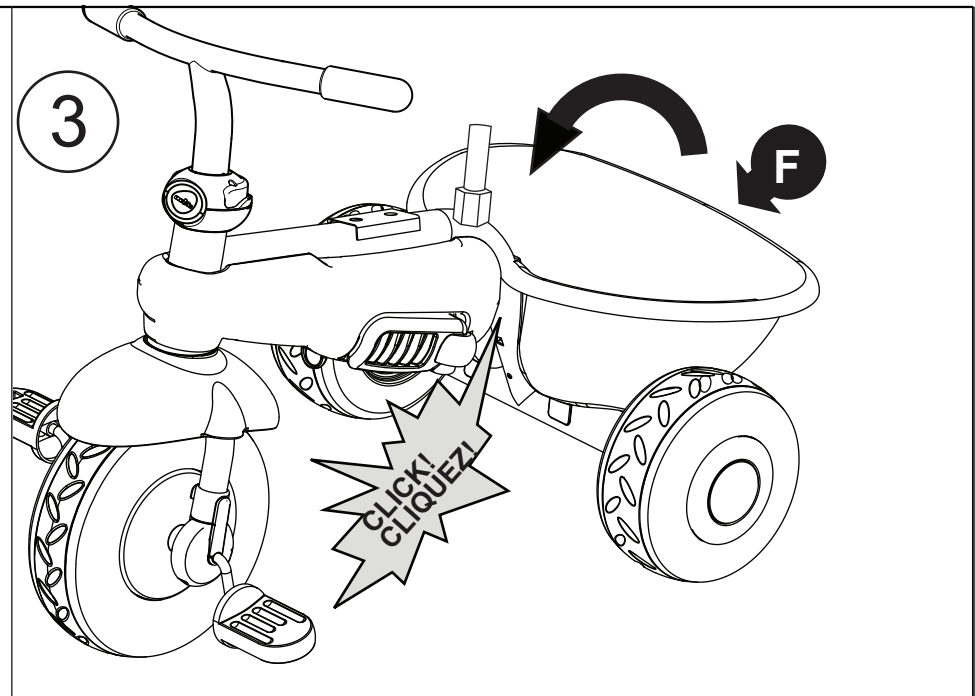
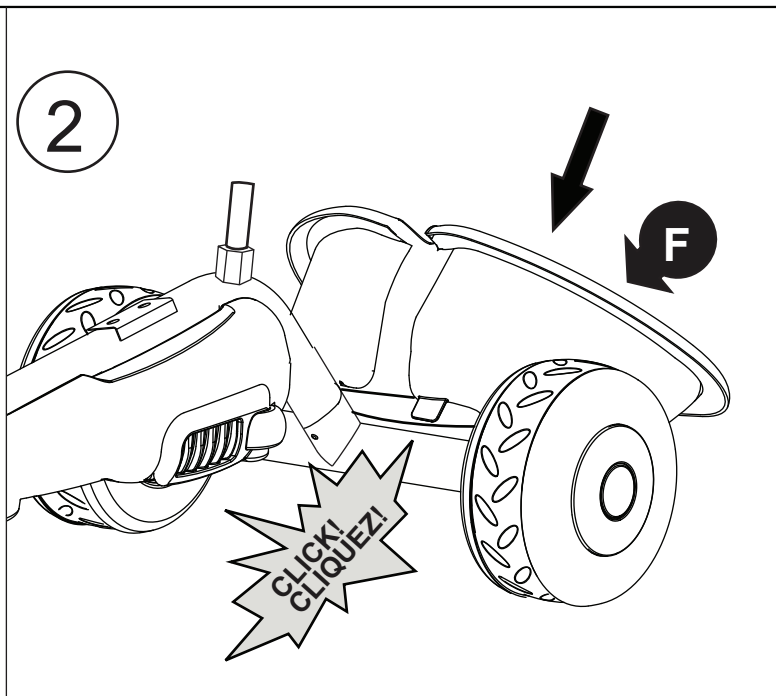
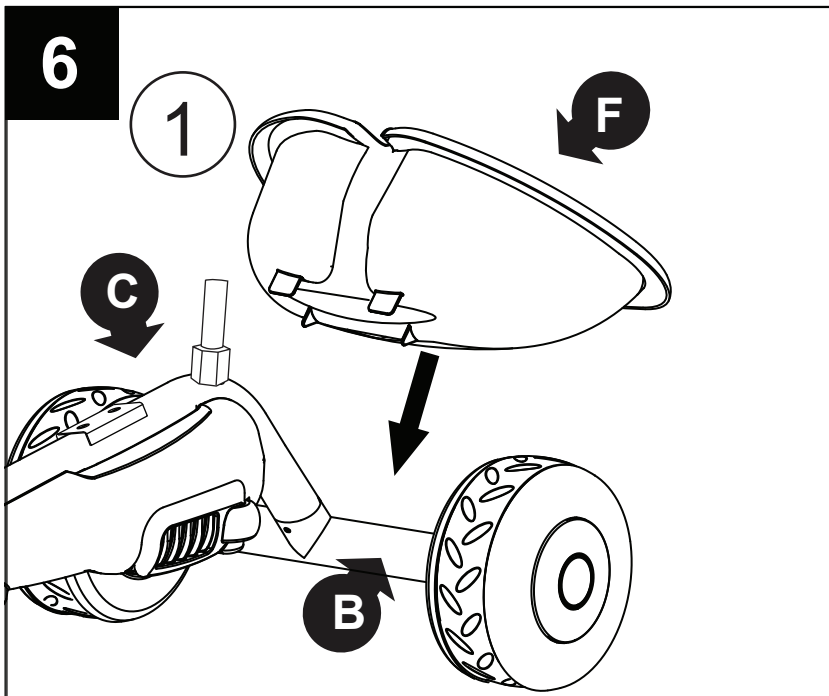
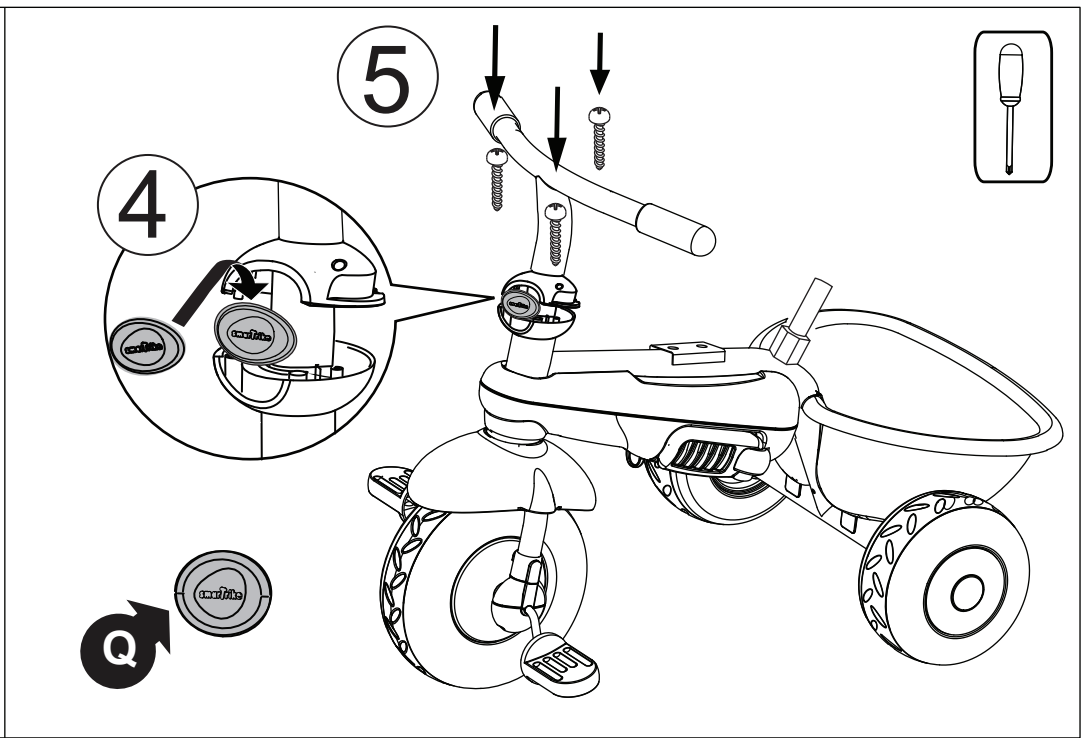
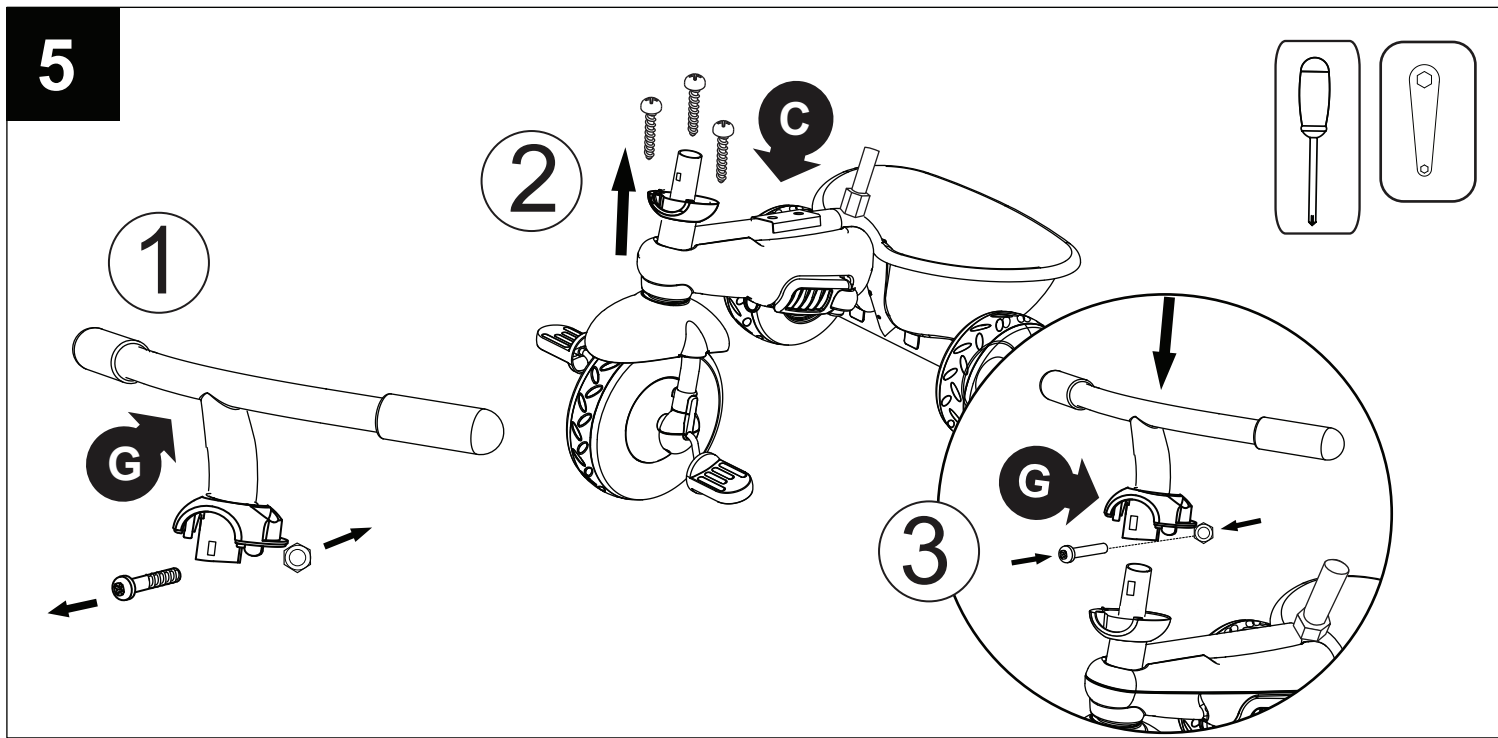
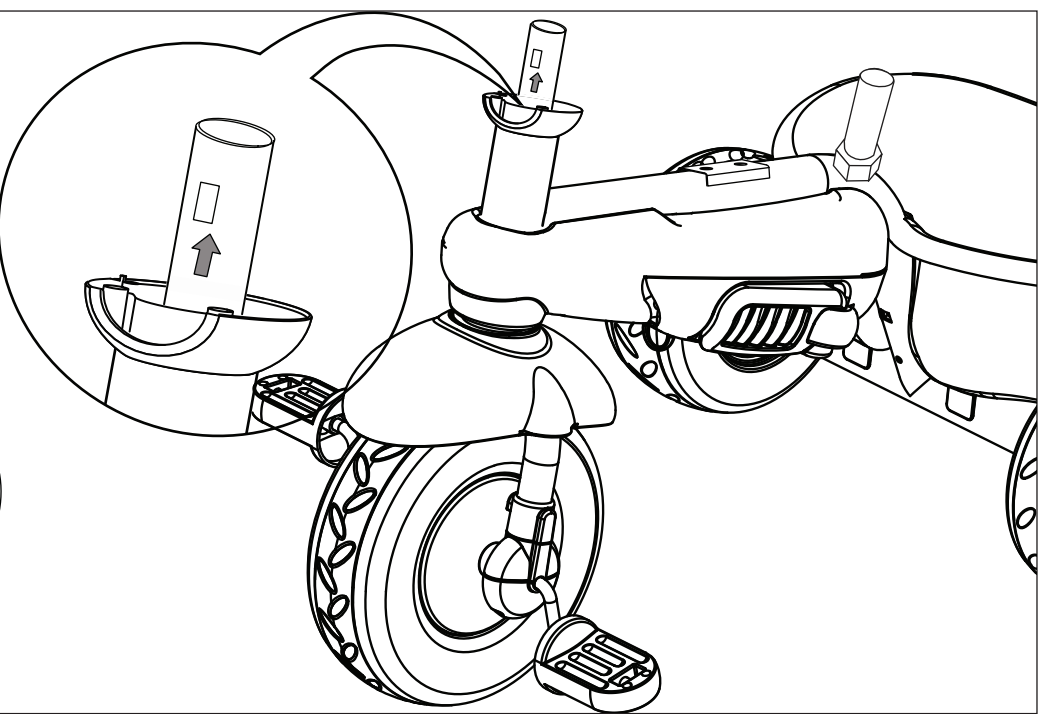
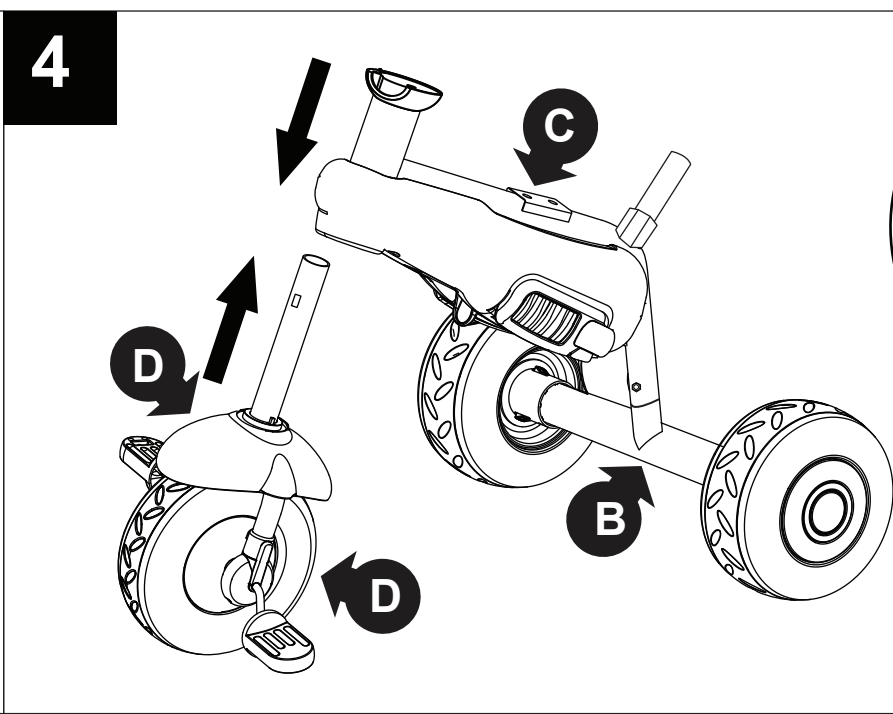
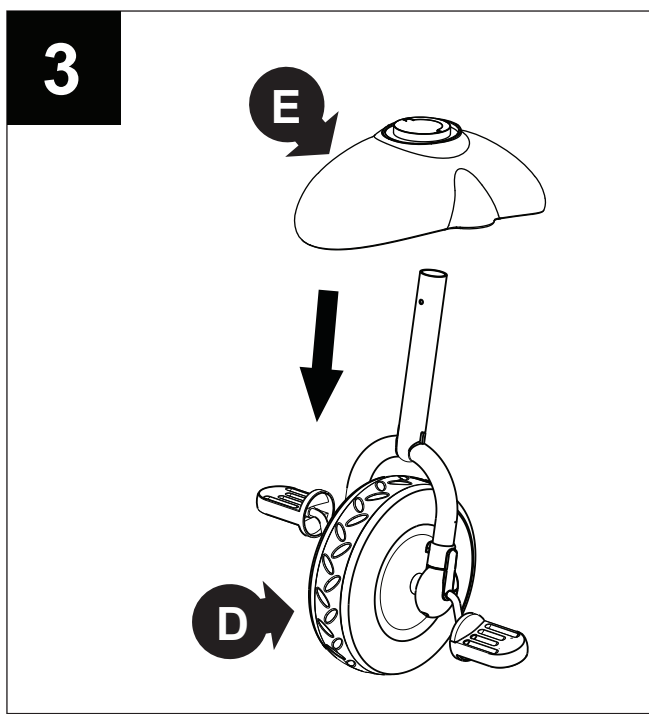
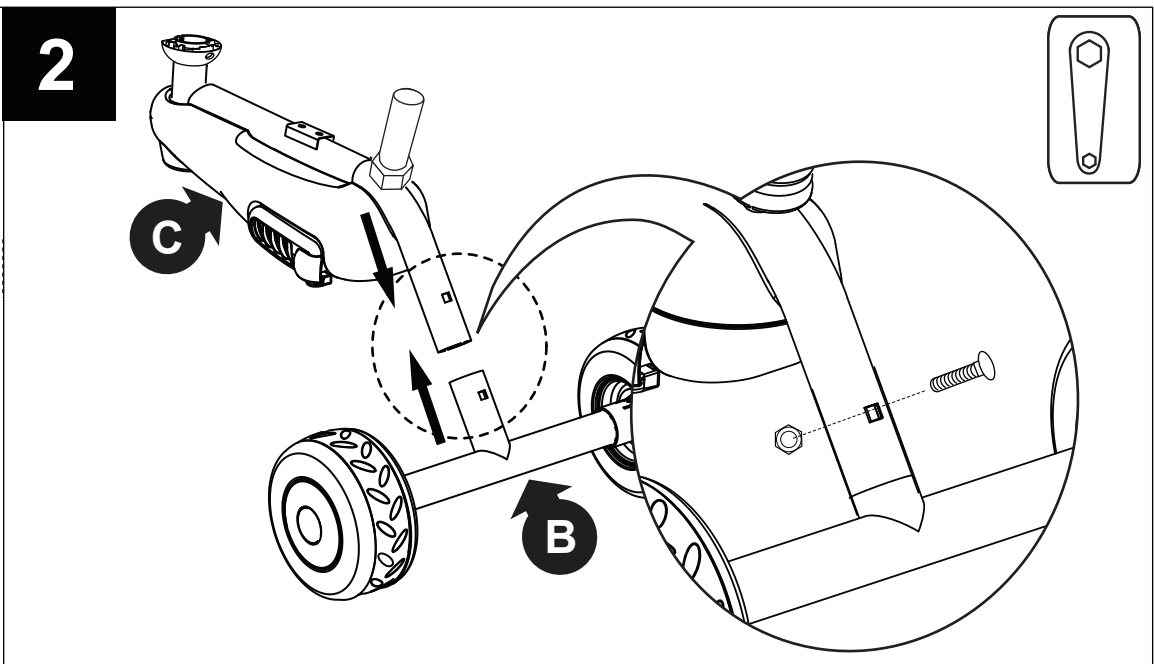
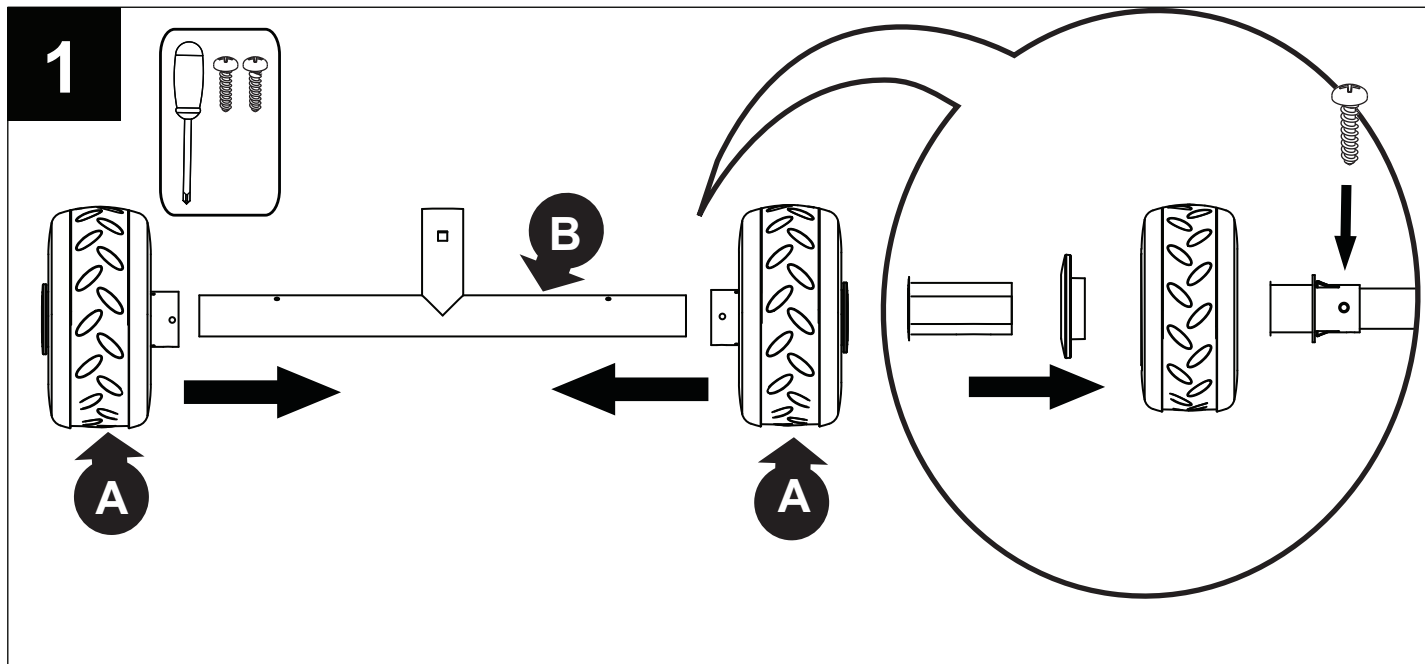
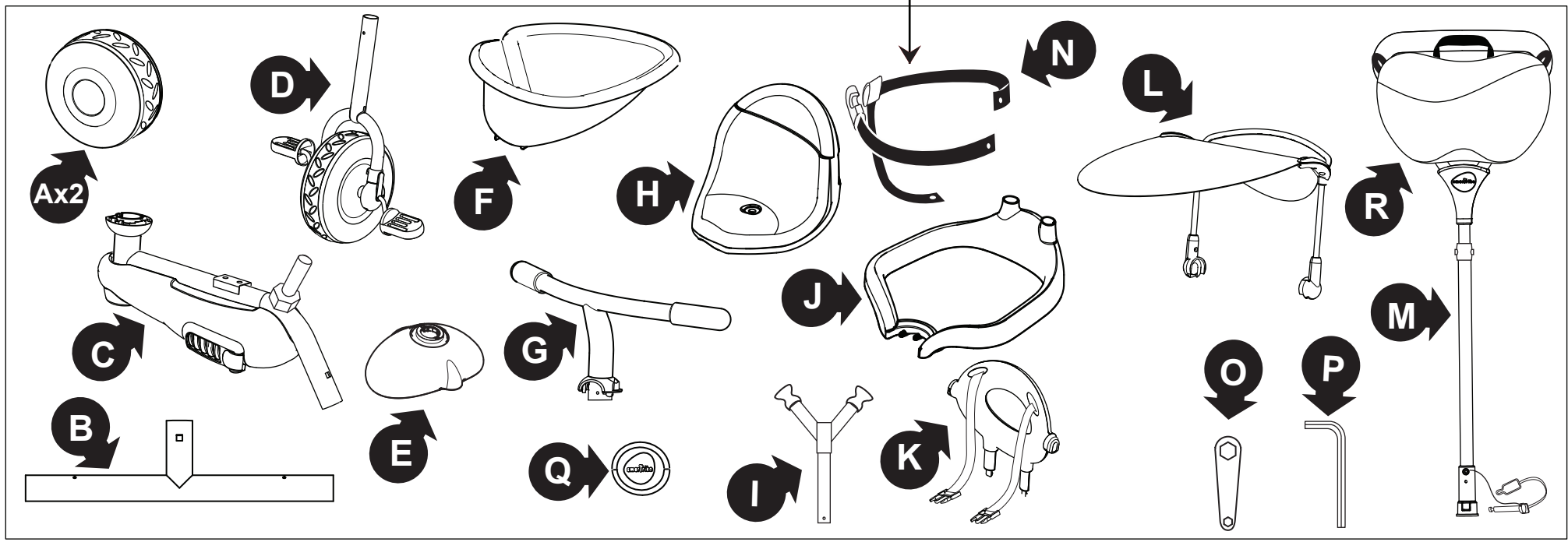
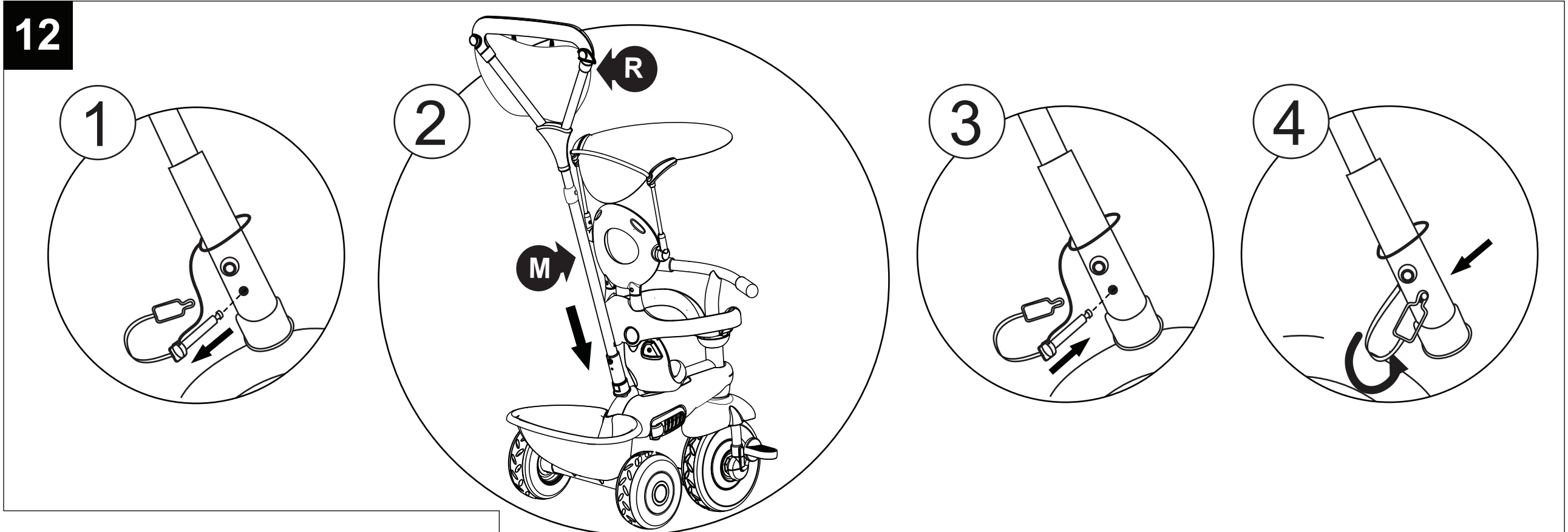
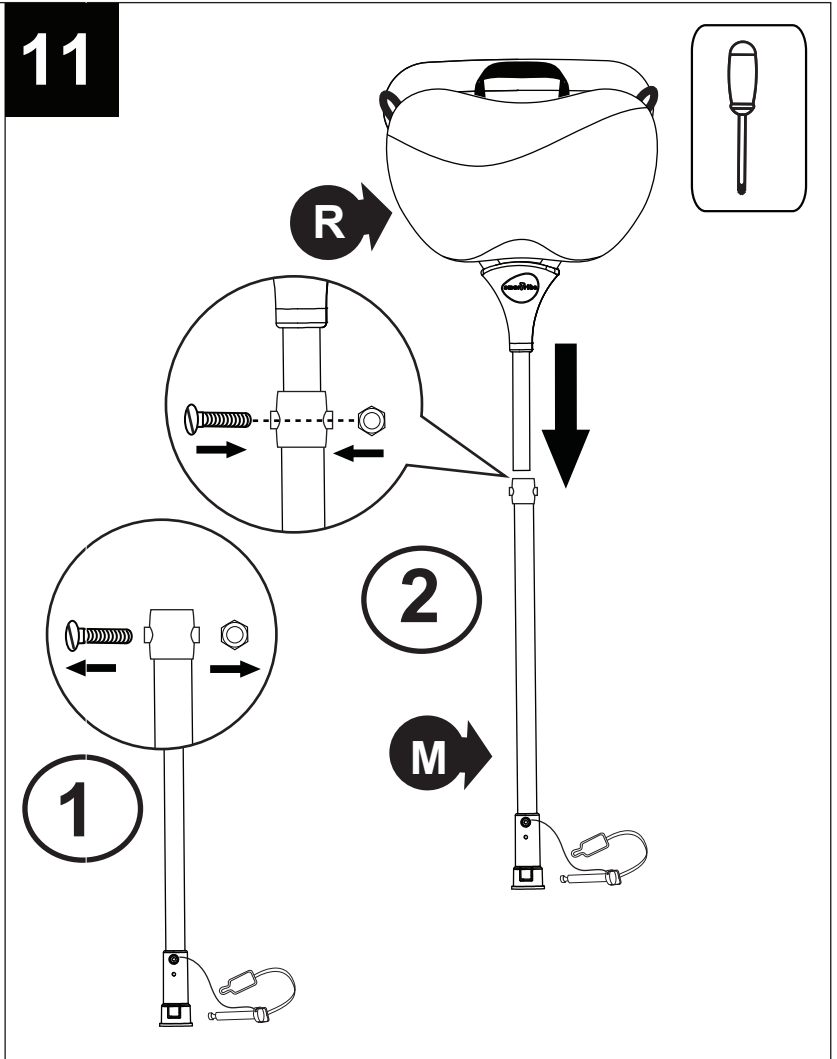
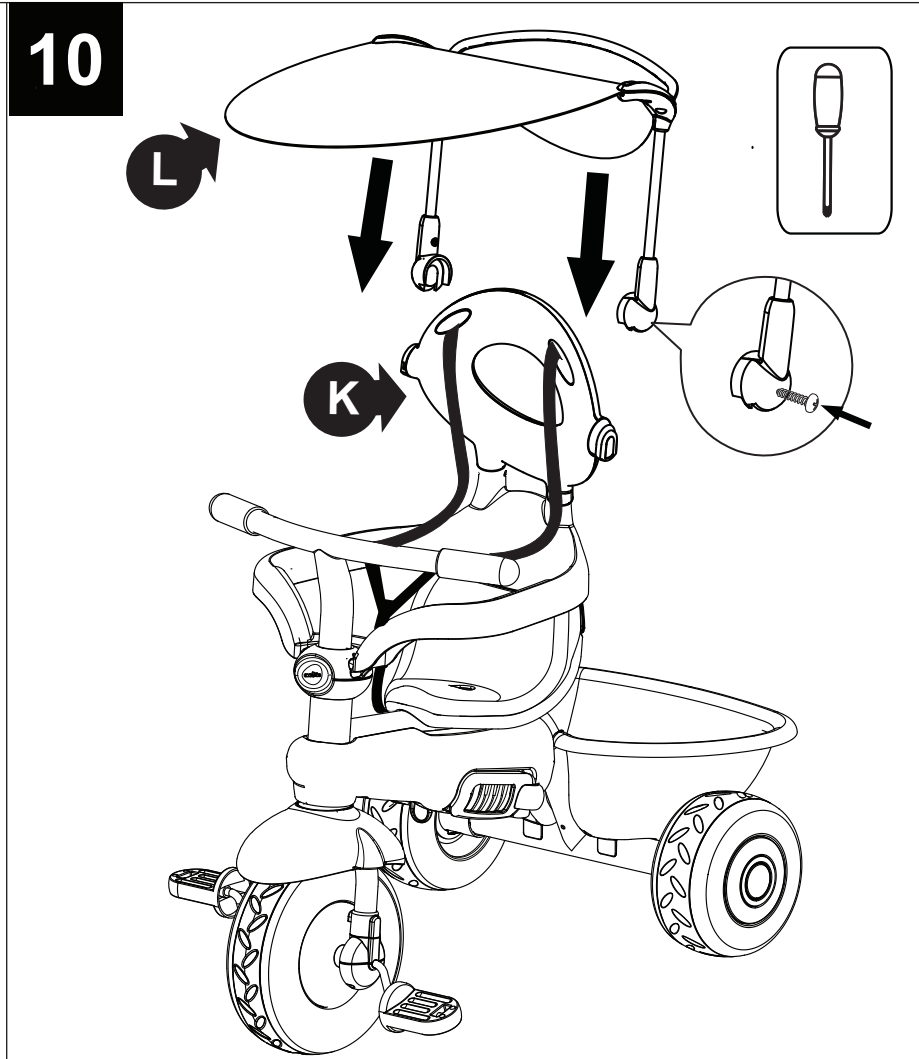
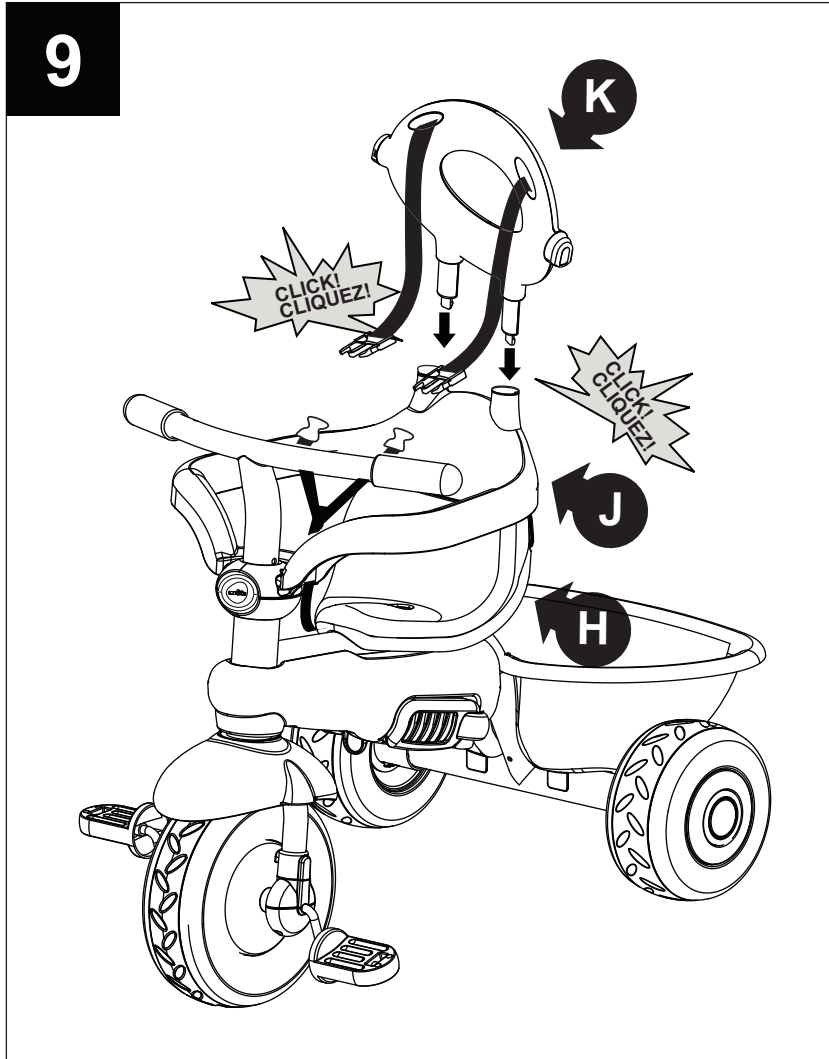
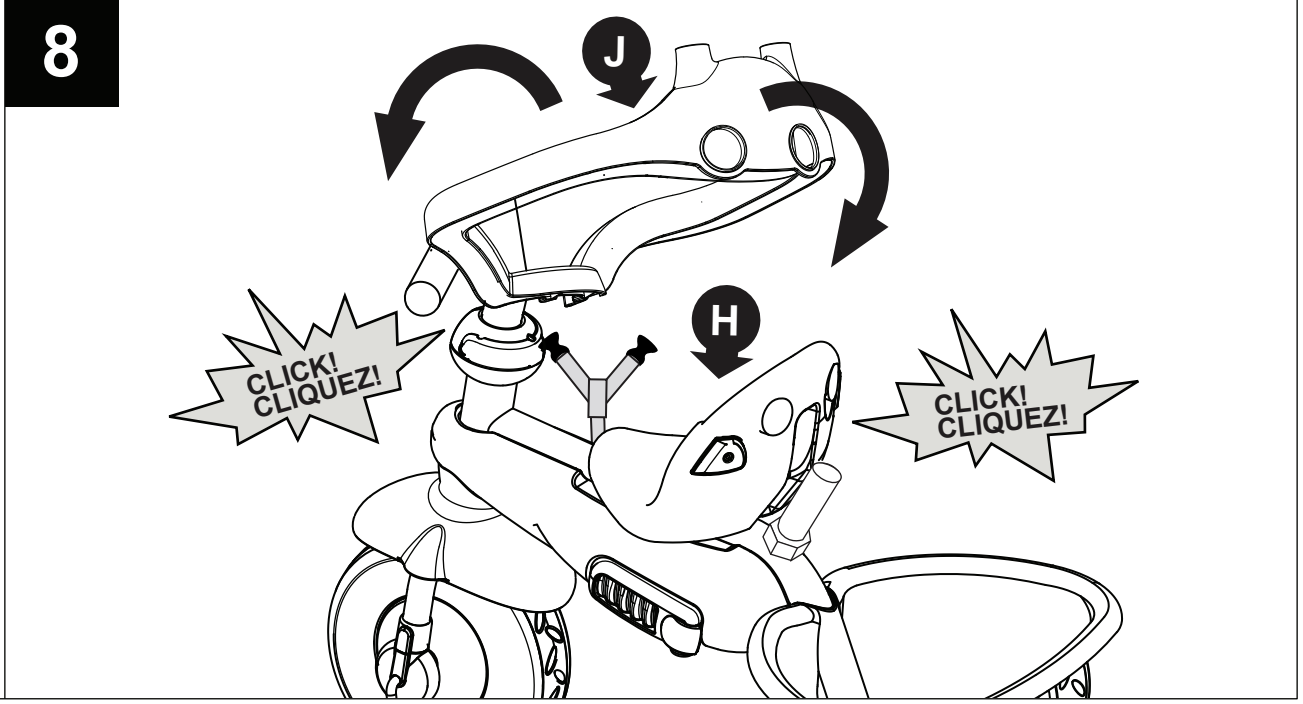
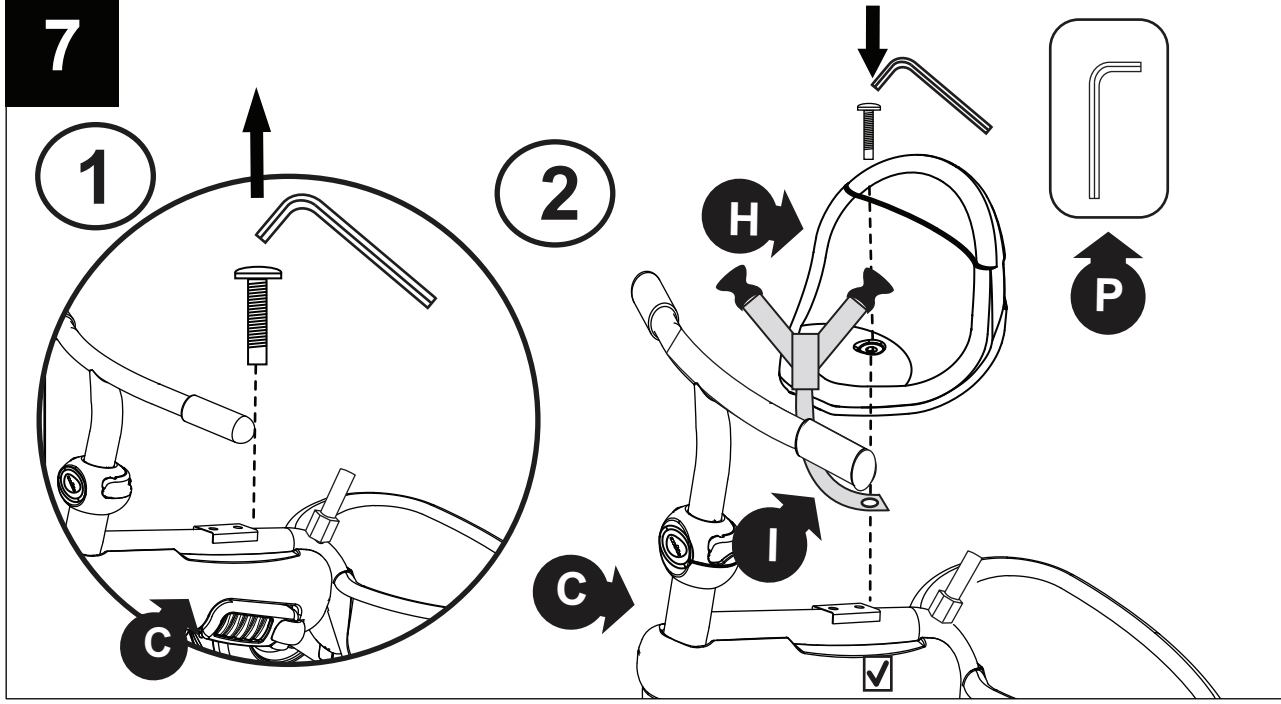




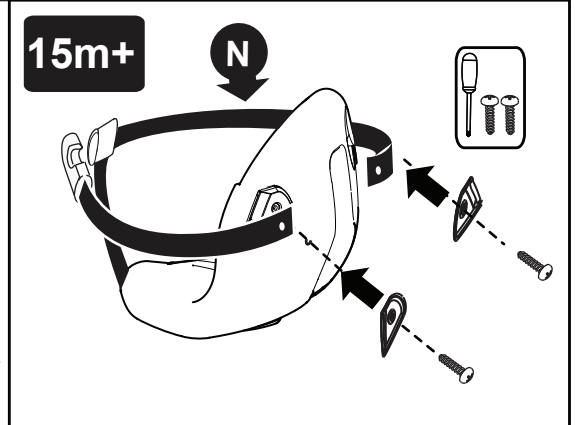
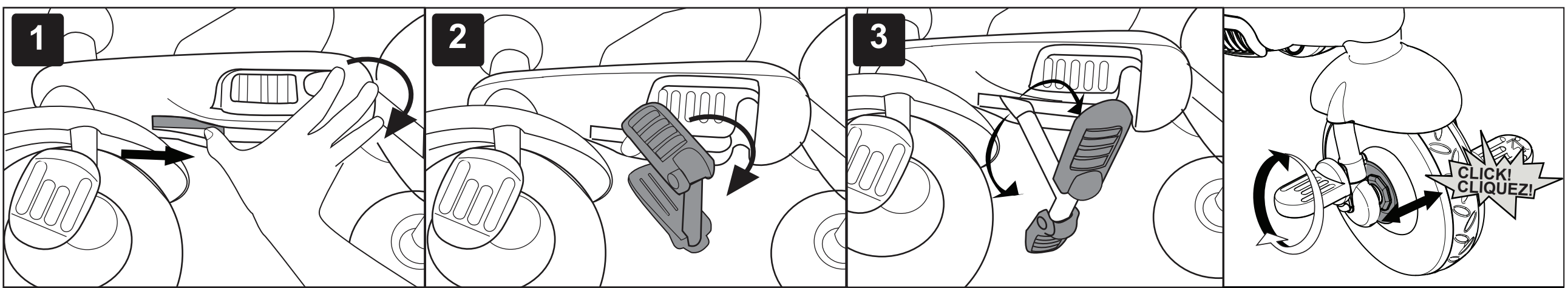
SMART TRIKE FRESH (146)

FOR AUSTRALIA - BELT NOT INCLUDED.





USAGE / UTILISATION



View assembly video on our website: (ITEM NO.146)
 Merci de trouver la vidéo du montage sur notre site internet:

www.smart-trike.com Find us on

FOR AUSTRALIA - BELT NOT INCLUDED.